



SERVICE PARTS LIST

BUL. 54-00-0170

ALTERNATOR MOUNTING BASE

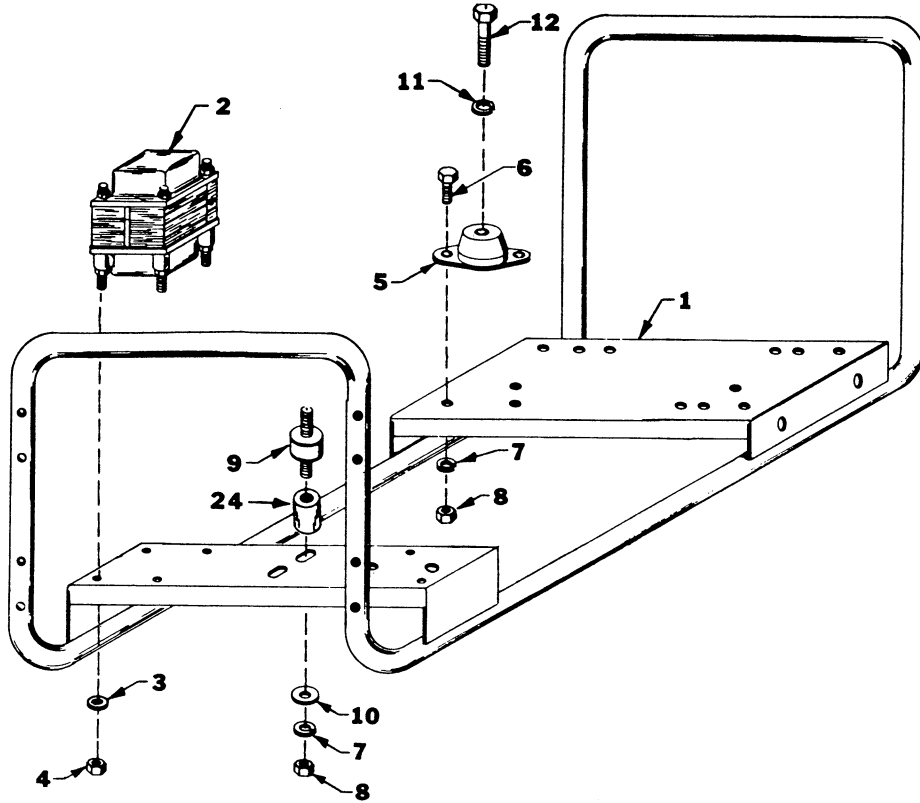
REVISED BUL DATE June '70

Catalog No. **4610**

Starting Serial No. **443-1001**

WIRING INSTR. **54-00-0180**

Both Model and Serial No. must be furnished to obtain correct parts.



Item	Part No.	Req'd	Description
1	42-20-0260	1	Mounting Base
2	23-81-0160	1	Reactor Assembly
4	6-55-1100	4	#10 - 32 Hex. Nut
5	43-33-0310	4	Vibration Dampener
6	06-75-0300	8	5/16 - 18 x 3/4 Lg. Hex. Hd. Capscrew
7	06-97-4100	9	5/16 Lockwasher
8	06-55-1980	9	5/16 - 18 Hex. Nut
9	43-33-0280	1	Vibration Dampener
10	45-88-5245	3	5/16 Flatwasher
11	06-97-4125	4	3/8 Lockwasher
12	06-75-0575	4	3/8 - 16 x 1 1/2 Lg. Hex. Hd. Capscrew
24	45-36-0535	1	Spacer