



SERVICE PARTS LIST

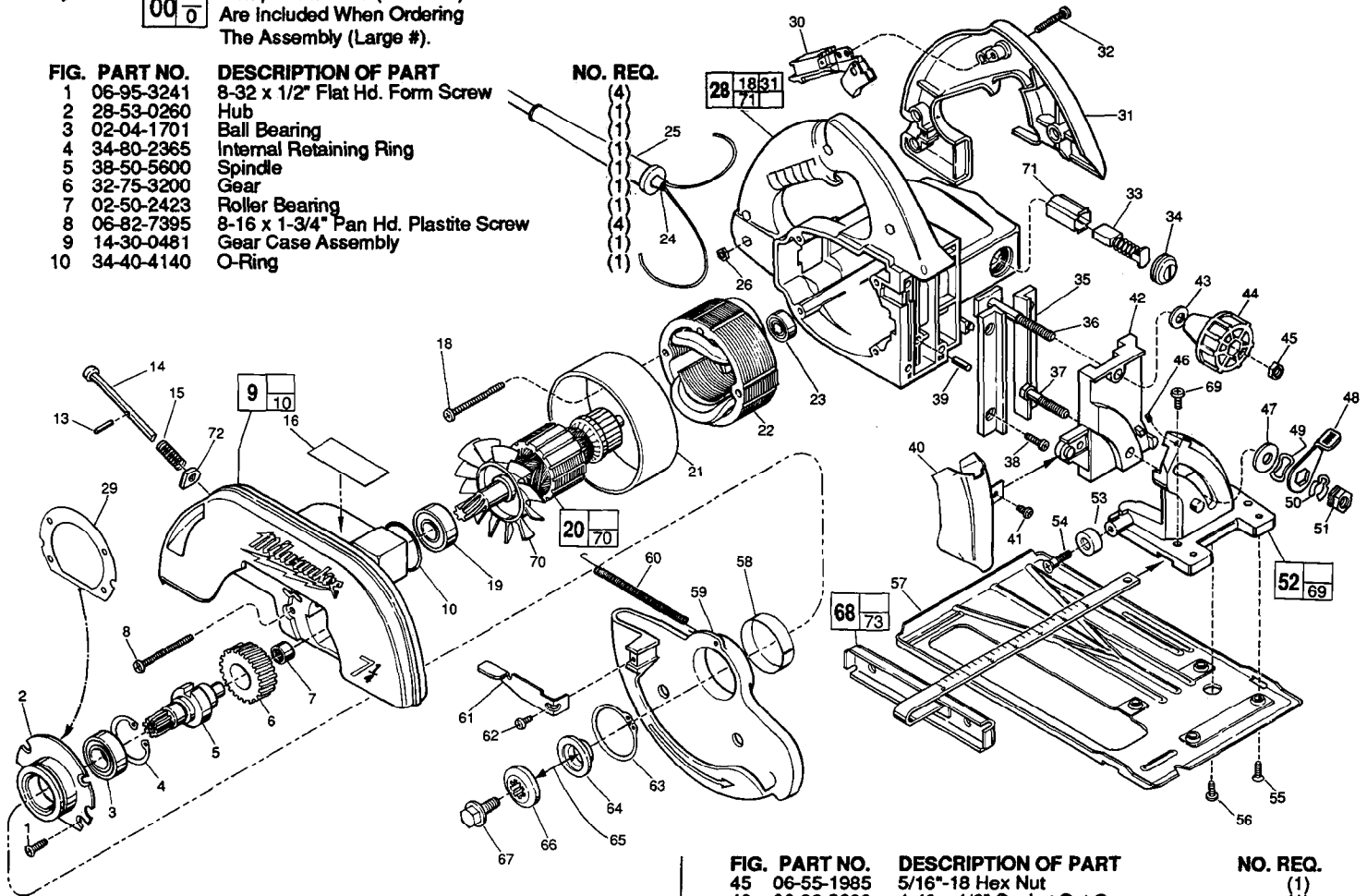
BULLETIN NO.
54-40-0127

SPECIFY CATALOG NO. AND SERIAL NO. WHEN ORDERING PARTS		REVISED BULLETIN 54-40-0126	DATE June '93
D.I. 7-1/4" CIRCULAR SAW			
CATALOG NO.	6367	STARTING SERIAL NO.	632A
		WIRING INSTRUCTION	58-01-0753

EXAMPLE:
Component Parts (Small #)
Are Included When Ordering
The Assembly (Large #).



FIG. PART NO.	DESCRIPTION OF PART	NO. REQ.
1	06-95-3241 8-32 x 1/2" Flat Hd. Form Screw	(4)
2	28-53-0260 Hub	(1)
3	02-04-1701 Ball Bearing	(1)
4	34-80-2365 Internal Retaining Ring	(1)
5	38-50-5600 Spindle	(1)
6	32-75-3200 Gear	(1)
7	02-50-2423 Roller Bearing	(1)
8	06-82-7395 8-16 x 1-3/4" Pan Hd. Plastite Screw	(4)
9	14-30-0481 Gear Case Assembly	(1)
10	34-40-4140 O-Ring	(1)



13	06-65-1534 1/8" x 5/8 Roll Pin	(1)
14	45-08-0200 Spindle Lock Shaft	(1)
15	40-50-8040 Spindle Lock Spring	(1)
★ 16	12-20-0180 Service Nameplate Kit	(1)
18	06-82-7395 8-16 x 1-3/4" Pan Hd. Plastite T-20 Screw	(2)
19	02-04-1700 Ball Bearing	(1)
20	16-70-0285 120 V Armature	(1)
21	42-14-0310 Baffle	(1)
22	18-70-0032 120 V Field	(1)
23	02-04-0850 Ball Bearing	(1)
24	22-64-0785 Cord Set	(1)
25	44-76-0050 Cord Protector	(1)
26	06-55-0835 8-32 Hex Nut	(4)
★ 28	31-50-1045 Motor Housing Assembly	(1)
29	43-44-0800 Gasket	(1)
30	23-66-0167 Switch	(1)
31	31-44-1421 Handle Half-Left	(1)
32	06-82-2362 8-32 x 1" Pan Hd. Slot T-20	(4)
33	22-18-0550 Carbon Brush Assembly	(2)
34	23-44-0160 Brush Retaining Screw	(2)
35	28-72-0049 Vertical Adjusting Plate	(2)
36	45-58-0310 Vertical Adjusting Stud	(1)
37	45-58-0270 Angular Adjusting Stud	(1)
38	06-82-7270 8-16 x 5/8" Slot. Plastite T-20	(4)
39	06-65-1580 3/16" x 1/2" Roll Pin	(1)
40	43-54-0547 Front Blade Guard	(1)
41	06-82-7252 8-32 x 3/8" Pan Hd. Taptite T-20	(1)
42	25-10-0799 Vertical Adjusting Bracket	(1)
43	45-88-0660 Adjusting Washer	(1)
44	43-98-0190 Vertical Adjusting Knob	(1)

FIG. PART NO.	DESCRIPTION OF PART	NO. REQ.
45	06-55-1985 5/16"-18 Hex Nut	(1)
46	06-83-3620 4-40 x 1/2" Socket Set Screw	(1)
47	45-88-0650 Angle Adjusting Washer	(1)
48	44-10-0200 Lever	(1)
49	45-88-0577 Wave Washer	(1)
50	34-60-2330 Klipping	(1)
51	44-40-0460 Adjustment Nut	(1)
52	28-10-0791 Angular Adjustment Bracket Assembly	(1)
53	42-38-0221 Rubber Bumper	(1)
54	45-04-0485 10-32 x 13/16" Bumper Screw	(1)
55	06-95-3250 8-32 x 5/8" Flat Hd. Thread Form Screw	(4)
56	06-82-7252 8-32 x 3/8" Pan Hd. Taptite T-20	(1)
57	45-16-0541 Shoe	(1)
58	45-14-0230 Lower Guard Shim	(1)
59	28-41-0912 Lower Guard	(1)
60	40-50-4510 Lower Guard Spring	(1)
61	43-62-0910 Lower Guard Handle	(1)
62	06-82-7252 8-32 x 3/8" Pan Hd. Taptite T-20	(1)
63	34-60-2195 External Retaining Ring	(1)
64	43-34-0560 Inner Flange	(1)
65	7-1/4" Blade	(1)
66	45-88-0286 Spindle Washer	(1)
67	06-75-0477 3/8"-24 x 11/16" Blade Screw	(1)
68	49-22-4150 Rip Fence (Optional)	(1)
69	06-95-0335 1/4"-20 x 1/2" Fil. Hd. Screw	(2)
70	22-84-0655 Fan Assembly	(1)
71	22-20-0820 Brush Insert	(2)
	49-96-6200 9/16" Utility Wrench	(1)
72	45-88-8250 Felt Seal	(1)
73	06-87-2450 1/4-20 x 1/2" Thumb Screw	(2)

FIG. LUBRICATION

9 3/4 Oz. Type "O" Grease, No. 49-08-4200.

MILWAUKEE ELECTRIC TOOL CORPORATION
13135 W. LISBON RD., BROOKFIELD, WI 53005