

SERVICE PARTS LIST

BULLETIN-NO.
54-40-0171

SPECIFY CATALOG NO. AND SERIAL NO. WHEN ORDERING PARTS		REVISED BULLETIN	DATE
O.E.M. SAW MOTOR		54-40-0170	Mar. '93
CATALOG NO.	6410	WIRING INSTRUCTION	
STARTING SERIAL NO.	771A	58-01-0750	

00 0

EXAMPLE:
Component Parts
(Small #)
Are Included When
Ordering
The Assembly
(Large #).

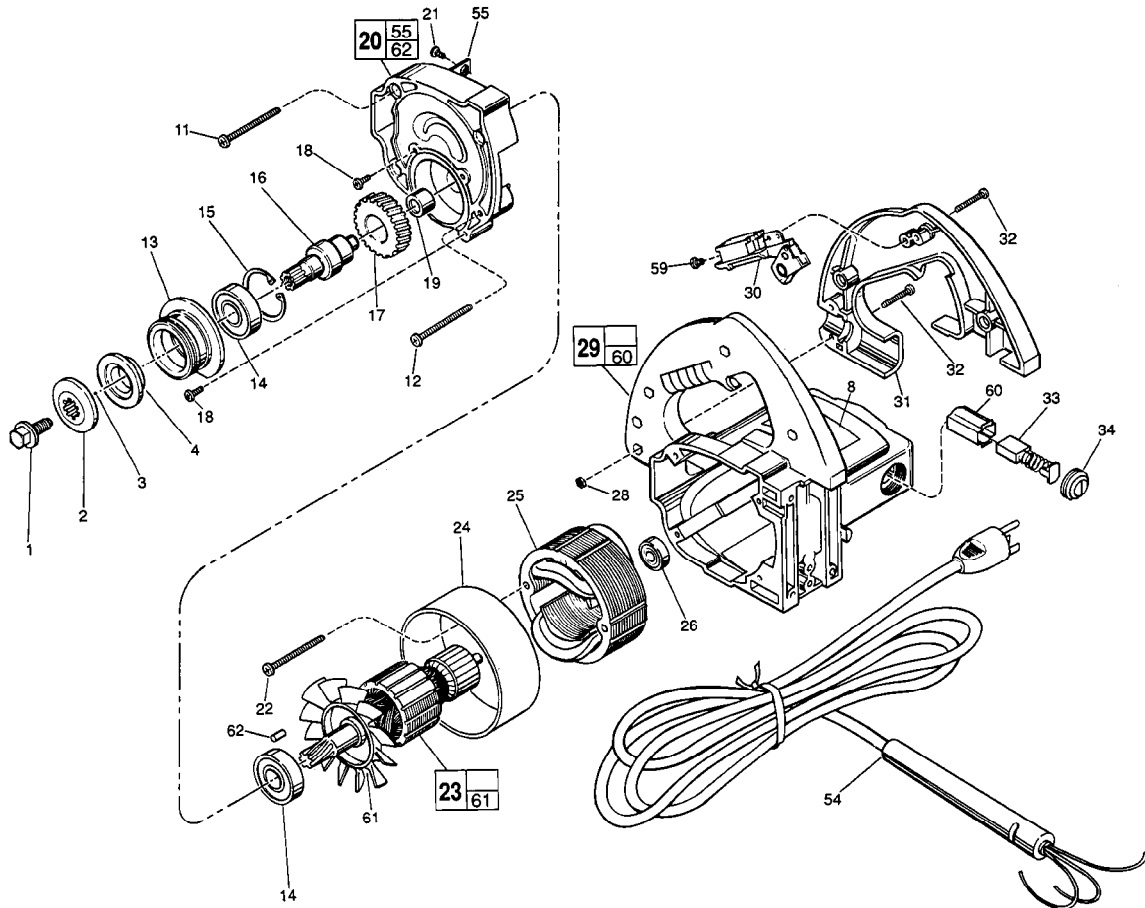


FIG.	PART NO.	DESCRIPTION OF PART	NO. REQ.
★ 1	06-75-0477	Blade Screw	(1)
2	45-88-0286	Spindle Blade Retaining Washer	(1)
3		Blade	(1)
4	43-34-0540	Spindle Flange	(1)
★ 8	12-20-0140	Nameplate Kit	(1)
11	06-95-3270	8-16 x 1" Pan Hd. Screw	(3)
12	06-82-7382	8-16 x 1-5/8" Pan Hd. Plastite T-20	(1)
13	43-78-0250	Lower Guard Hub	(1)
14	02-04-1748	Ball Bearing	(2)
15	34-80-2960	Retaining Ring - Internal	(1)
16	38-50-1075	Gear Spindle	(1)
17	32-75-3210	Spindle Gear	(1)
18	06-82-7252	8-32 x 3/8" Pan Hd. Slit. Tapitite T-20	(4)
19	02-50-2423	Needle Bearing	(1)
20	14-30-0280	Gear Case Assembly	(1)
21	06-81-8625	Ground Screw	(1)
★ 22	06-82-7395	8-16 x 1-3/4" Pan Hd. Plastite T-20	(2)
23	16-70-0291	120 V. Armature	(1)
24	23-16-0691	Field Insulating Sleeve	(1)
25	18-70-0030	120 V. Field	(1)
26	02-04-0850	Ball Bearing	(1)
28	06-55-0835	8-32 Hex Nut	(5)
★ 29	31-50-0153	Motor Housing Assembly	(1)

FIG.	PART NO.	DESCRIPTION OF PART	NO. REQ.
30	23-66-2090	Switch	(1)
31	31-44-0481	L.H. Handle	(1)
32	06-82-2362	8-32 x 1" Pan Hd. Slit. T-20	(5)
33	22-18-0550	Carbon Brush Assembly	(2)
34	23-44-0160	Brush Retaining Screw	(2)
54	22-64-0126	Cord Set	(1)
55	42-36-0800	Ground Screw Bracket	(1)
59	05-78-0305	Switch Screw	(4)
60	22-20-0350	Brush Insert	(2)
61	22-84-0655	Fan Assembly	(1)
62	45-30-0110	Ball Bearing Retaining Slug	(1)
	49-96-6200	9/16" Wrench	(1)

FIG. LUBRICATION

20 1/2 Oz. Type "O" Grease, No. 49-08-4200.

MILWAUKEE ELECTRIC TOOL CORPORATION
13135 W. LISBON RD., BROOKFIELD, WI 53005