

SERVICE PARTS LIST

BULLETIN NO.
54-40-0172

SPECIFY CATALOG NO. AND SERIAL NO. WHEN ORDERING PARTS		REVISED BULLETIN 54-40-0171	DATE Mar. 2000
O.E.M. SAW MOTOR			
CATALOG NO. 6410	STARTING SERIAL NUMBER	771B	
		WIRING INSTRUCTION 58-01-0751	

EXAMPLE:

00	0
----	---

 Component Parts (Small #) Are Included
When Ordering The Assembly (Large #).

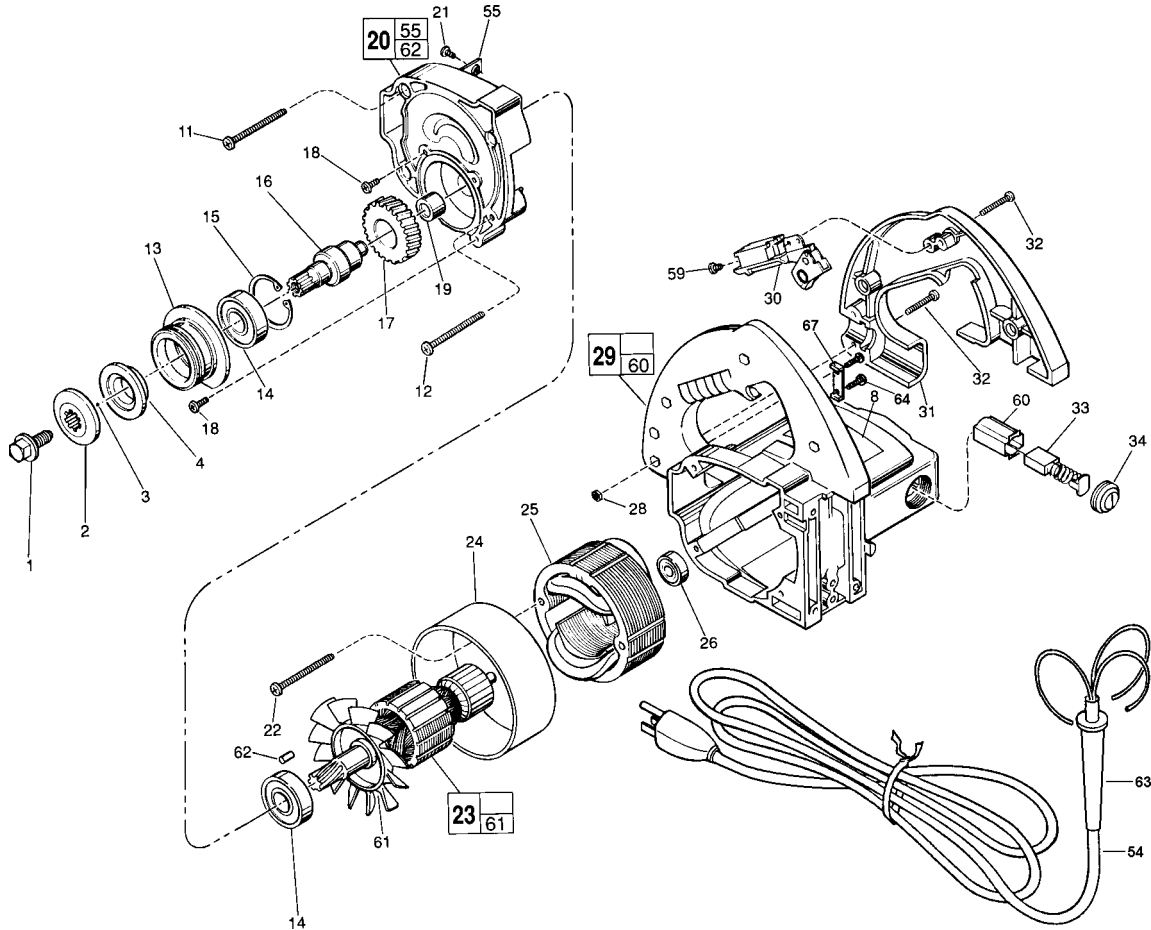


FIG.	PART NO.	DESCRIPTION OF PART	QTY
★ 1	06-75-0030	Blade Screw	(1)
2	45-88-0286	Spindle Blade Retaining Washer	(1)
3	-----	Blade	(1)
4	43-34-0540	Spindle Flange	(1)
8	12-20-0140	Nameplate Kit	(1)
★ 11	06-82-7326	8-16 x 1 Pan Hd. Plastite T-20	(3)
12	06-82-7382	8-16 x 1-5/8 Pan Hd. Plastite T-20	(1)
13	43-78-0250	Lower Guard Hub	(1)
14	02-04-1748	Ball Bearing	(2)
15	34-80-2960	Retaining Ring - Internal	(1)
★ 16	38-50-1080	Spindle	(1)
★ 17	32-75-3215	Gear	(1)
18	06-82-7252	8-32 x 3/8 Pan Hd. Slit. Taptite T-20	(4)
19	02-50-2423	Needle Bearing	(1)
20	14-30-0280	Gear Case Assembly	(1)
21	06-81-8625	Ground Screw	(1)
22	06-82-7395	8-16 x 1-3/4 Pan Hd. Plastite T-20	(2)
23	16-70-0291	120 Volt Armature	(1)
24	23-16-0691	Field Insulating Sleeve	(1)
25	18-70-0030	120 Volt Field	(1)
26	02-04-0850	Ball Bearing	(1)
28	06-55-0835	8-32 Hex Nut	(5)
29	31-50-0153	Motor Housing Assembly	(1)

FIG.	PART NO.	DESCRIPTION OF PART	QTY
30	23-66-2090	Switch	(1)
31	31-44-0481	L. H. Handle	(1)
32	06-82-2362	8-32 x 1 Pan Hd. Slit. T-20	(5)
33	22-18-0550	Carbon Brush Assembly	(2)
34	23-44-0160	Brush Retaining Screw	(2)
★ 54	22-64-0790	Cord Set	(1)
55	42-36-0800	Ground Screw Bracket	(1)
59	05-78-0305	Switch Screw	(4)
60	22-20-0350	Brush Insert	(2)
61	22-84-0655	Fan Assembly	(1)
62	45-30-0110	Ball Bearing Retaining Slug	(1)
★ 63	44-76-0050	Cord Protector	(1)
★ 64	06-81-5850	6-32 x 5/8 Pan Hd. Slit. Screw	(2)
★ 67	42-68-0210	Cord Clamp	(1)
★ --	06-38-0020	Threaded Insert (not shown)	(2)
--	49-96-6200	9/16 Wrench (not shown)	(1)

FIG. LUBRICATION

20 1/2 oz. Type "O" Grease, No. 49-08-4200.