



SERVICE PARTS LIST

BULLETIN NO.
54-40-0826

SPECIFY CATALOG NO. AND SERIAL NO. WHEN ORDERING PARTS		REVISED BULLETIN	DATE
PANEL SAW		54-40-0825	Oct. 2006
CATALOG NO. 6480-20	STARTING SERIAL NUMBER 697B	WIRING INSTRUCTION	

EXAMPLE:



Component Parts (Small #) Are Included
When Ordering The Assembly (Large #).

FIG.	PART NO.	DESCRIPTION OF PART	QTY.	FIG.	PART NO.	DESCRIPTION OF PART	QTY.
1	43-40-0310	Frame	(1)	47	43-72-0200	Holder	(2)
2	42-52-0370	Tube Cap	(16)	48	44-96-0140	Roller	(8)
3	45-60-0550	Support	(1)		44-96-0160	Replacement Roller	(8)
4	06-75-0345	5/16"-18 x 2-1/2" Hex Hd. Cap. Bolt	(8)	49	45-88-8460	5/16" I.D. Washer	(4)
5	06-57-5037	5/16"-18 Nylock Nut	(5)	51	06-08-0040	Hardware Kit (Roller)	(8)
6	44-60-1340	Lock Pin	(1)	53	42-24-0560	End Bearing	(2)
7	43-40-3020	Support Base	(1)	54	42-24-0570	Cam Bearing	(6)
8	45-76-0400	1-1/2" Square Tube	(1)	55	44-66-5995	Face Plate	(2)
9	45-76-0410	1-3/8" Square Tube	(1)	56	42-36-1750	Support Bracket	(2)
10	45-76-0390	Guide Tube Assembly	(1)	57	06-75-0494	3/8"-16 x 5/8" Hex Hd. Cap Bolt	(2)
11	45-88-8405	3/8" x 1-5/8" Square Washer	(2)	58	6486-20	8" Motor	(1)
12	06-55-1985	5/16-18 Heavy Hex Nut	(4)	60	06-08-0075	Rear Bolt	(1)
13	43-54-0720	Rear Guard	(1)	61	45-36-0070	Mounting Spacer	(1)
14	06-85-5336	10 x 3/4" Self-Drilling / Tapping Screw	(10)	62	06-57-0015	Rear Nut	(1)
15	43-72-0190	Cord Keeper Assembly	(1)	63	45-88-0675	Front Mounting Washer	(2)
16	45-22-0510	Sleeve	(1)	64	06-57-0010	Front Mounting Nut	(2)
17	42-87-0110	Counter Balance	(1)	65	45-88-0670	Rear Washer	(1)
18	06-10-0460	1/4"-20 x 5/8" Carriage Bolt	(6)	66	06-85-0010	Jack Screw	(1)
19	06-55-1525	1/4"-20 Hex Nut	(17)	67	44-66-5997	Center Section Kit	(1)
20	45-88-5220	1/4" I.D. Washer	(2)		12-20-0196	Nameplate Kit (not shown)	(1)
21	42-70-5130	Cable Clip	(1)				
22	42-20-1025	Saw Base	(1)	FIG. NOTE:			
23	43-98-0450	Torque Knob	(3)	51	Torque to 200 in./lbs. minimum		
24	43-54-0710	Pressure Guard	(1)	10	Apply Teflon dry spray lubricant to guide tube rails		
25	43-54-1025	Upper Blade Guard Assembly	(1)				
26	42-24-0580	Bearing Assy. w/ Hdw. (Sold in sets of 4)	(4)				
27	40-50-1025	Pressure Guard Spring	(1)				
28	06-55-1987	5/16"-18 Std. Hex Nut	(1)				
29	44-66-5960	Right Plate	(1)				
30	44-66-5970	Left Plate	(1)				
31	06-10-0650	1/4"-20 x 1" Carriage Bolt	(8)				
32	06-57-4510	1/4"-20 Nylock Hex Nut	(10)				
33	44-20-0270	Rip Lock Assembly	(1)				
34	43-98-0420	Rip Lock Knob	(1)				
35	06-75-0357	5/16"-18 x 4" Hex Hd. Cap Bolt	(1)				
36	06-75-0335	5/16"-18 x 1-1/2" Sk. Hd. Cap Bolt	(1)				
37	44-66-5980	Mounting Plate	(1)				
38	06-75-0080	1/4"-20 x 1/2" Hex Hd. Cap Bolt	(9)				
39	06-75-0076	1/4"-20 x 3/8" Hex Hd. Cap Bolt	(1)				
40	44-60-1330	Index Pin Assembly	(2)				
41	43-98-0430	Index Pin Knob	(1)				
42	43-56-0480	Rip Ruler Guide	(1)				
43	06-12-0010	1/4"-20 x 2-1/4" Eye Bolt	(2)				
44	43-82-0130	Vertical Indicator (Scale)	(1)				
45	06-55-1515	1/4"-20 Heavy Hex Nut	(3)				
46	43-82-0120	Horizontal Indicator (Scale)	(2)				

**See Bulletin No. 54-40-0451
for the following Panel Saw Accessories:**

Hold Down Bar Kit
No. 49-22-8100

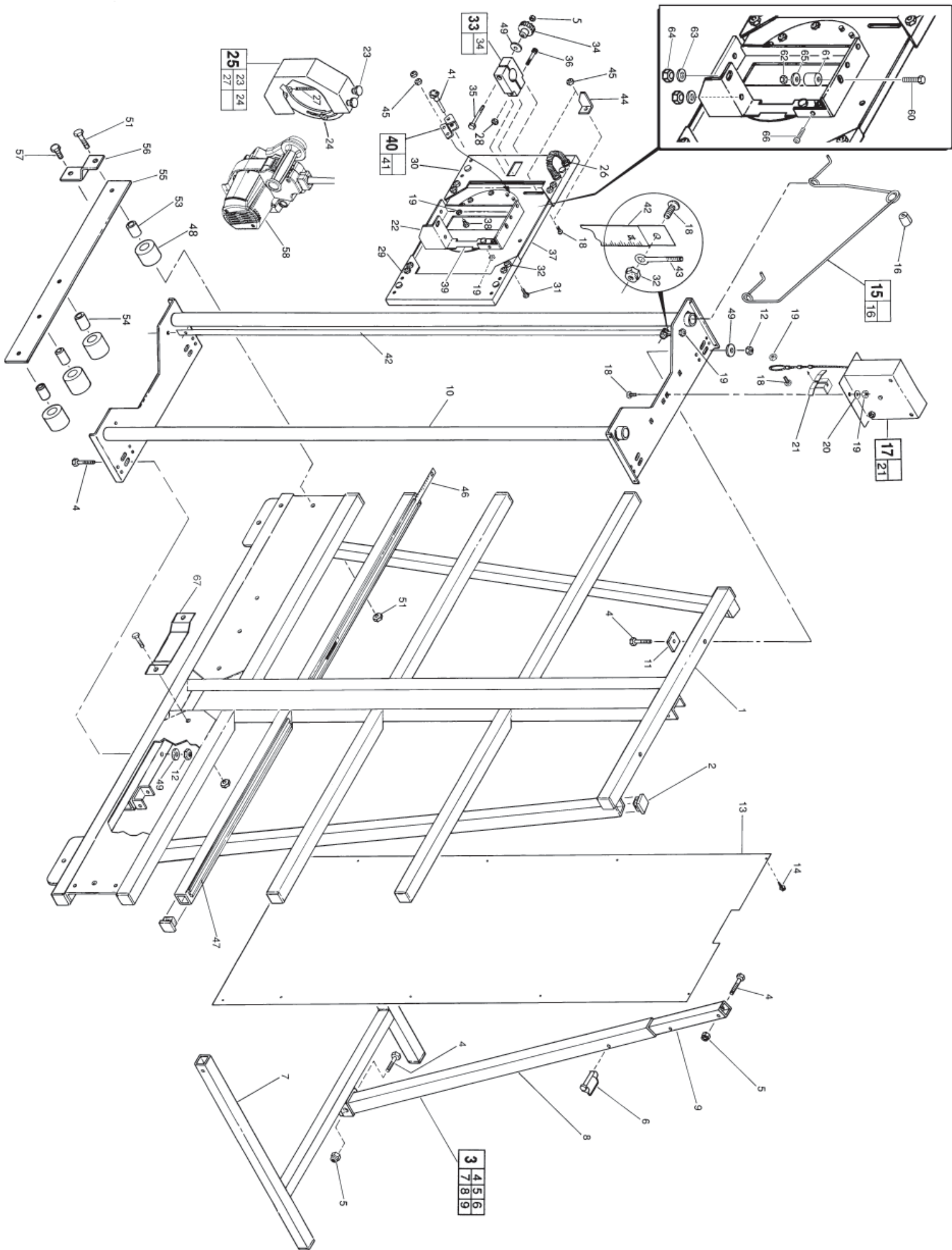
Quick Stop Kit
49-22-8102

Dust Collection Kit
49-22-8105

Wheel Kit
49-22-8106

Extension Kit
49-22-8108

Midway Fence Kit
49-22-8110



25	23	24
27		

40	41
----	----

3	4	5	6
7	8	9	

15	16
----	----

17	21
----	----