



SERVICE PARTS LIST

7-1/4" CIRCULAR SAW

Catalog No. 6365

Starting Serial No. **546-31000**

Specify Catalog and Serial No. when ordering parts

BUL. 54-40-1101

REVISED BUL.
54-40-1100

DATE
Dec. '77

WIRING INSTRUCTIONS
58-01-0750

FOR CAT. NO. 6365-2
(240V) TOOL USE:

16-76-0030 ARMATURE
18-76-0030 FIELD
22-64-4000 CORD SET

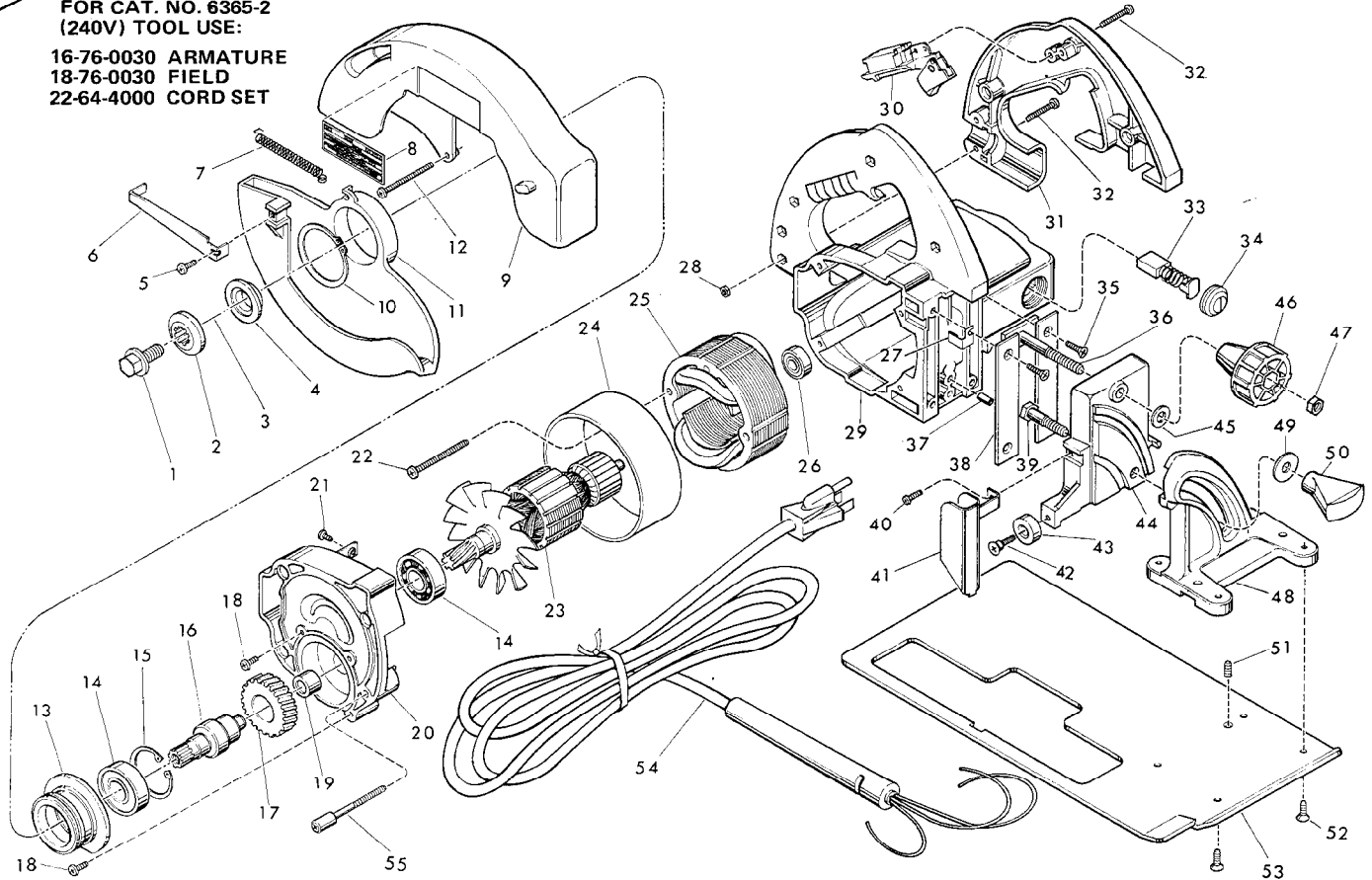


FIG.	PART NO.	DESCRIPTION OF PART	NO. REQ.	FIG.	PART NO.	DESCRIPTION OF PART	NO. REQ.	
	1	06-75-0474 Blade Screw	(1)	30	23-66-0355	Switch	(1)	
	2	45-88-0285 Spindle Blade Retaining Washer	(1)	31	31-44-0480	L. H. Handle	(1)	
	3	- 7-1/4 Blade (Select From Catalog)	(1)	32	06-81-0472	8-32x1 Pan Hd. Screw	(5)	
	4	43-34-0250 Spindle Flange	(1)	33	22-18-0550	Carbon Brush Assembly	(2)	
	5	06-95-0210 8-32x3/8 Pan Hd. Screw	(1)	34	23-44-0160	Brush Retaining Screw	(2)	
	6	43-62-0660 Lower Guard Handle	(1)	35	06-95-3240	8-32x3/4 Fl. Hd. Screw	(4)	
	7	40-50-3750 Lower Guard Spring	(1)	36	45-58-0250	Vertical Adjusting Stud	(1)	
	8	12-99-0095 Nameplate Blank	(1)	37	06-65-1580	3/16x1/2 Lg. Roll Pin	(1)	
	9	26-41-0500 Upper Guard	(1)	38	44-66-0650	Vertical Bracket Plate	(2)	
	10	34-60-2210 Retaining Ring-External	(1)	39	45-58-0240	Angular Adjusting Stud	(1)	
	11	26-41-0550 Lower Guard	(1)	40	06-95-0210	8-32x3/8 Pan Hd. Screw	(1)	
	12	06-95-0260 8-32x1-5/8 Pan Hd. Screw	(3)	★41	43-54-0305	Front Blade Guard Assembly	(1)	
	13	43-78-0250 Lower Guard Hub	(1)	★42	45-04-0485	Guard Bumper Screw	(1)	
	14	02-04-1746 Ball Bearing	(2)	★43	42-38-0075	Rubber Bumper	(1)	
	15	34-80-2960 Retaining Ring-Internal	(1)	★44	28-10-0625	Vertical Adjusting Bracket	(1)	
	16	38-50-1075 Gear Spindle	(1)	45	45-88-0660	Angular Adjusting Washer	(1)	
	17	32-75-2770 Spindle Gear	(1)	46	43-98-0190	Vertical Adjusting Knob	(1)	
★	18	06-95-0211 8-32x3/8 Pan Hd. Screw	(4)	47	06-55-1985	5/16-18 Hex Nut	(1)	
	19	02-50-2423 Needle Bearing	(1)	48	28-10-0600	Angular Adjusting Bracket	(1)	
	20	14-30-0280 Gear Case Assembly	(1)	49	45-88-0650	Angular Adjusting Washer	(1)	
	21	06-81-8625 6-32x1/4 Ground Screw	(1)	50	43-98-0110	Depth Adjusting Knob	(1)	
	22	06-95-0370 10-24x1-3/4 Pan Hd. Screw	(2)	51	06-83-0800	8-32x3/8 Hdls. Set Screw	(1)	
	23	16-70-0030 120V. Armature	(1)	52	06-95-3241	8-32x1/2 Fl. Hd. Screw	(4)	
	24	23-16-0690 Field Insulating Sleeve	(1)	53	45-16-0320	Saw Shoe	(1)	
	25	18-70-0030 120V. Field	(1)	54	22-64-0775	Cord Set	(1)	
	26	02-04-0850 Ball Bearing	(1)	★	55	06-95-0267	Shoulder Screw	(1)
	27	42-70-0200 Ground Clip	(1)	56	49-96-6200	9/16" Wrench (Not Shown)	(1)	
	28	06-55-0825 8-32 Hex Nut	(5)	57	12-98-7081	Caution Plate (Not Shown)	(1)	
	29	31-50-0150 Motor Housing Assembly	(1)					