



SERVICE PARTS LIST

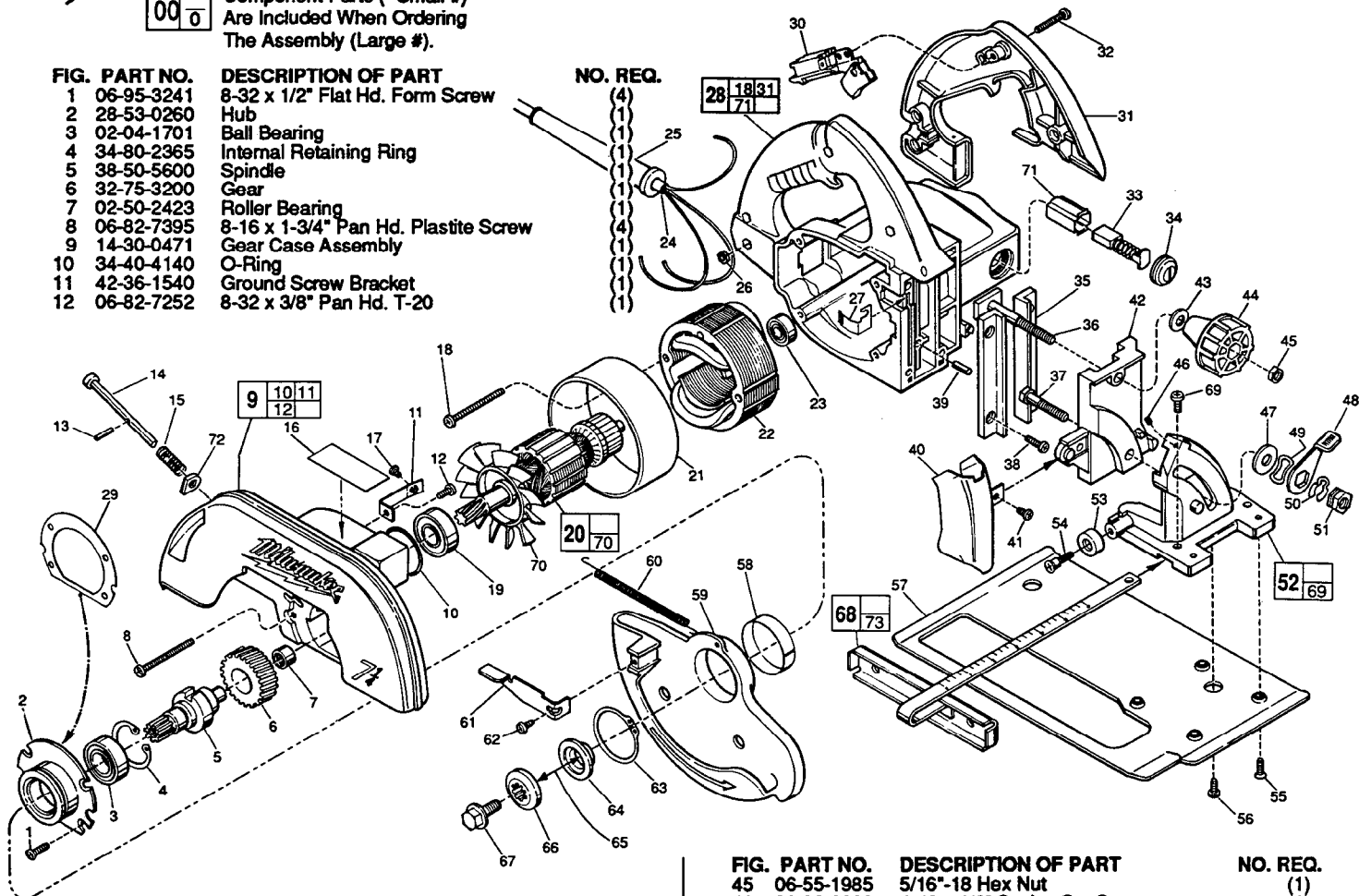
BULLETIN NO.
54-40-1110

SPECIFY CATALOG NO. AND SERIAL NO. WHEN ORDERING PARTS		REVISED BULLETIN 54-40-1109	DATE June '93
7-1/4" CIRCULAR SAW			
CATALOG NO.	6365	STARTING SERIAL NO.	546A
		WIRING INSTRUCTION 58-01-0753	

EXAMPLE:
Component Parts (Small #)
Are Included When Ordering
The Assembly (Large #).

00 0

FIG. PART NO.	DESCRIPTION OF PART	NO. REQ.
1 06-95-3241	8-32 x 1/2" Flat Hd. Form Screw	(4)
2 28-53-0260	Hub	(1)
3 02-04-1701	Ball Bearing	(1)
4 34-80-2365	Internal Retaining Ring	(1)
5 38-50-5600	Spindle	(1)
6 32-75-3200	Gear	(1)
7 02-50-2423	Roller Bearing	(1)
8 06-82-7395	8-16 x 1-3/4" Pan Hd. Plastite Screw	(1)
9 14-30-0471	Gear Case Assembly	(1)
10 34-40-4140	O-Ring	(1)
11 42-36-1540	Ground Screw Bracket	(1)
12 06-82-7252	8-32 x 3/8" Pan Hd. T-20	(1)



13 06-65-1534	1/8" x 5/8 Roll Pin	(1)
14 45-08-0200	Spindle Lock Shaft	(1)
15 40-50-8040	Spindle Lock Spring	(1)
★ 16 12-20-0175	Service Nameplate Kit	(1)
17 06-81-8625	6-32 x 1/4" Ground Screw	(1)
18 06-82-7395	8-16 x 1-3/4" Pan Hd. Plastite T-20 Screw	(2)
19 02-04-1700	Ball Bearing	(1)
20 16-70-0285	120 V Armature	(1)
21 42-14-0310	Baffle	(1)
22 18-70-0032	120 V Field	(1)
23 02-04-0850	Ball Bearing	(1)
24 22-64-0790	Cord Set	(1)
25 44-76-0050	Cord Protector	(1)
26 06-55-0835	8-32 Hex Nut	(4)
27 42-70-0230	Ground Clip	(1)
★ 28 31-50-1045	Motor Housing Assembly	(1)
29 43-44-0800	Gasket	(1)
30 23-66-0167	Switch	(1)
31 31-44-1421	Handle Half-Left	(1)
32 06-82-2362	8-32 x 1" Pan Hd. Slot T-20	(4)
33 22-18-0550	Carbon Brush Assembly	(2)
34 23-44-0160	Brush Retaining Screw	(2)
35 28-72-0049	Vertical Adjusting Plate	(2)
36 45-58-0310	Vertical Adjusting Stud	(1)
37 45-58-0270	Angular Adjusting Stud	(1)
38 06-82-7270	8-16 x 5/8" Slot. Plastite T-20	(4)
39 06-65-1580	3/16" x 1/2" Roll Pin	(1)
40 43-54-0547	Front Blade Guard	(1)
41 06-82-7252	8-32 x 3/8" Pan Hd. Tapitite T-20	(1)
42 25-10-0799	Vertical Adjusting Bracket	(1)
43 45-88-0660	Adjusting Washer	(1)
44 43-98-0190	Vertical Adjusting Knob	(1)

FIG. PART NO.	DESCRIPTION OF PART	NO. REQ.
45 06-55-1985	5/16"-18 Hex Nut	(1)
46 06-83-3620	4-40 x 1/2" Socket Set Screw	(1)
47 45-88-0650	Angle Adjusting Washer	(1)
48 44-10-0200	Lever	(1)
49 45-88-0577	Wave Washer	(1)
50 34-60-2330	Klipring	(1)
51 44-40-0460	Adjustment Nut	(1)
52 28-10-0791	Angular Adjustment Bracket Assembly	(1)
53 42-38-0221	Rubber Bumper	(1)
54 45-04-0485	10-32 x 13/16" Bumper Screw	(1)
55 06-95-3250	8-32 x 5/8" Flat Hd. Thread Form Screw	(4)
56 06-82-7252	8-32 x 3/8" Pan Hd. Tapitite T-20	(1)
57 45-16-0570	Shoe	(1)
58 45-14-0230	Lower Guard Shim	(1)
59 28-41-0912	Lower Guard	(1)
60 40-50-4510	Lower Guard Spring	(1)
61 43-62-0910	Lower Guard Handle	(1)
62 06-82-7252	8-32 x 3/8" Pan Hd. Tapitite T-20	(1)
63 34-60-2195	External Retaining Ring	(1)
64 43-34-0560	Inner Flange	(1)
65	7-1/4" Blade	(1)
66 45-88-0286	Spindle Washer	(1)
67 06-75-0477	3/8"-24 x 11/16" Blade Screw	(1)
68 49-22-4150	Rip Fence (Optional)	(1)
69 06-95-0335	1/4"-20 x 1/2" Fil. Hd. Screw	(2)
70 22-84-0655	Fan Assembly	(1)
71 22-20-0820	Brush Insert	(2)
72 49-96-6200	9/16" Utility Wrench	(1)
73 45-88-8250	Felt Seal	(1)
73 06-87-2450	1/4-20 x 1/2" Thumb Screw	(2)

FIG. LUBRICATION
9 3/4 Oz. Type "O" Grease, No. 49-08-4200.

MILWAUKEE ELECTRIC TOOL CORPORATION
13135 W. LISBON RD., BROOKFIELD, WI 53005