



SERVICE PARTS LIST

BULLETIN NO.
54-40-5450

SPECIFY CATALOG NO. AND SERIAL NO. WHEN ORDERING PARTS		REVISED BULLETIN	DATE
TOOL STAND			Nov. '97
CATALOG NO. 48-08-0350	STARTING SERIAL NO.	WIRING INSTRUCTION	

EXAMPLE:
Component Parts (Small #)
Are Included When Ordering
The Assembly (Large #).

00 | 0

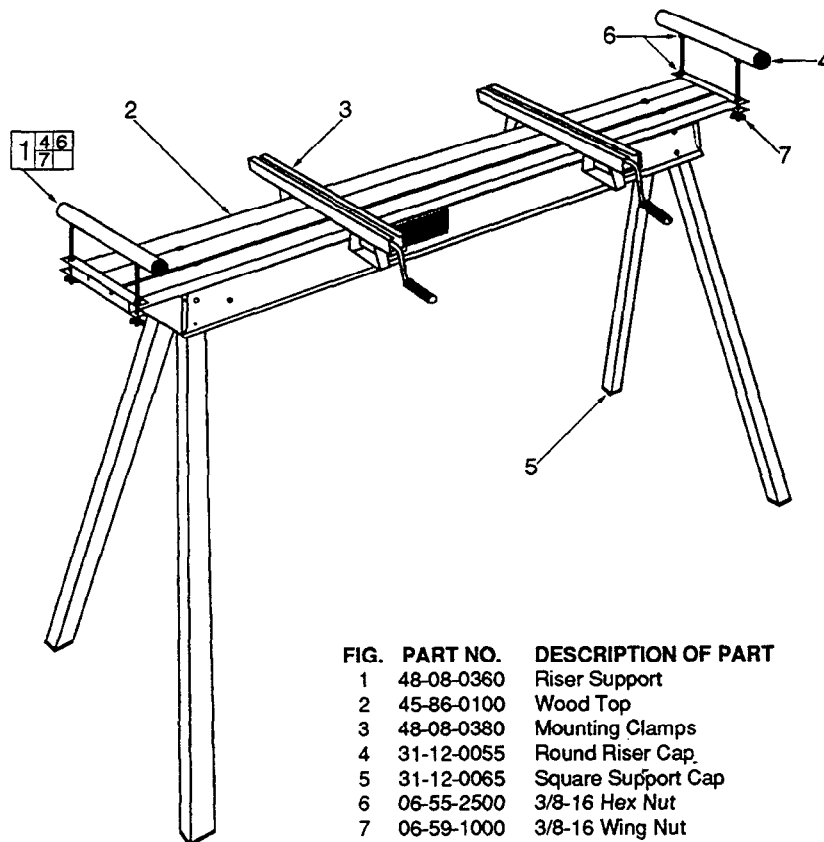


FIG.	PART NO.	DESCRIPTION OF PART	NO. REQ.
1	48-08-0360	Riser Support	(2)
2	45-86-0100	Wood Top	(1)
3	48-08-0380	Mounting Clamps	(2)
4	31-12-0055	Round Riser Cap	(4)
5	31-12-0065	Square Support Cap	(4)
6	06-55-2500	3/8-16 Hex Nut	(8)
7	06-59-1000	3/8-16 Wing Nut	(4)

MILWAUKEE ELECTRIC TOOL CORPORATION
13135 W. LISBON RD., BROOKFIELD, WI 53005