



SERVICE PARTS LIST

SPECIFY CATALOG NO. AND SERIAL NO. WHEN ORDERING PARTS		REVISED BULLETIN 54-40-6575	DATE July 2004
SLIDING COMPOUND MITER SAW		WIRING INSTRUCTION 58-01-1350	
CATALOG NO. 6496 / 6497	STARTING SERIAL NO. 882B		

EXAMPLE: 00 0 Component Parts (Small #) Are Included When Ordering The Assembly (Large #).

★=Part number change from previous service parts list.

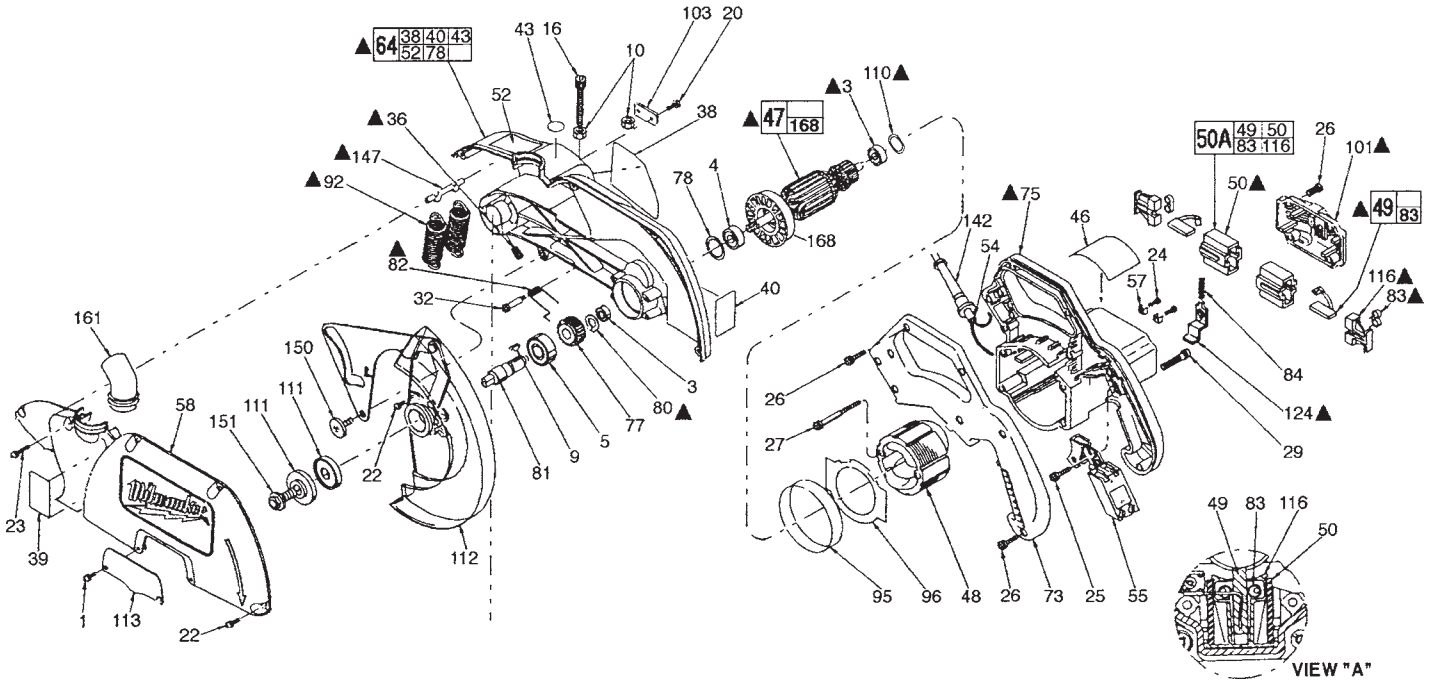


FIG.	PART NO.	DESCRIPTION OF PART	NO. REQ.	FIG.	PART NO.	DESCRIPTION OF PART	NO. REQ.
★	1	06-82-5560 10-24 x 1/2 Pan Hd. Slit. Taptite T-25	(2)	64	28-14-2275	Upper Guard / Gear Case Assembly	(1)
	3	02-04-0845 8 x 22 x 7 Ball Bearing	(2)	73	31-44-1725	Handle Half	(1)
	4	02-04-1229 12 x 32 x 10 Ball Bearing	(1)	★	75	31-50-1013 Motor Housing	(1)
	5	02-04-2040 20 x 47 x 14 Ball Bearing	(1)	77	32-75-3350	Gear	(1)
	9	06-42-2400 Woodruff Key	(1)	78	34-40-1375	1-1/4 Dia. O-Ring	(1)
	10	06-55-2500 3/8-16 Hex Nut	(2)	80	34-60-2560	Retaining Ring	(1)
	16	06-75-4697 3/8-16 x 1-1/2 Cap Machine Screw	(1)	81	38-50-5840	Spindle	(1)
★	20	06-82-5314 10-24 x 1/2 Pan Hd. Taptite T-25	(2)	82	40-50-1205	Lower Guard Return Spring	(1)
	22	06-82-5411 10-24 x 5/8 Pan Hd. Slit. Taptite T-25	(8)	83	40-50-8160	Coil Spring	(2)
	23	06-82-5574 10-24 x 7/8 Pan Hd. Slit. Taptite T-25	(1)	84	40-50-8170	Spring (Spindle Lock)	(1)
	24	06-82-7212 4-20 x 1/4 Pan Hd. Plastite T-10	(2)	92	40-50-8680	Return Spring	(2)
	25	06-82-7226 6-19 x 5/16 Pan Hd. Plastite T-15	(1)	95	42-14-0350	Baffle	(1)
	26	06-82-7270 8-16 x 5/8 Pan Hd. Slit. Plastite T-20	(12)	96	42-14-0355	Baffle	(1)
	27	06-82-7453 8-16 x 2-1/4 Pan Hd. Slit. Plastite T-20	(2)	99	42-50-0281	Cam Link	(1)
	29	06-82-9024 10-24 x 1-3/4 Pan Hd. Slit. Tapt. Sems T-25	(4)	101	42-92-0890	End Cover	(1)
	32	06-82-9690 Shoulder Screw	(1)	103	42-92-1070	Nut Retaining Cover	(1)
	36	06-83-3150 5/16-18 x 1/2 Set Screw Hex Socket	(2)	★	110	45-88-0577 Wave Washer	(1)
	38	10-15-0601 Trilingual Label	(1)	111	43-34-0720	Blade Flange	(2)
	39	10-15-1510 Satisfaction Label	(1)	112	43-54-0735	Lower Guard Assembly	(1)
	40	10-15-9450 Warning Label	(1)	113	43-54-0740	Blade Screw Guard	(1)
	43	10-20-1210 Warning (Rain) Label	(1)	116	43-72-0180	Spring Holder	(2)
	46	12-20-0810 Service Nameplate Kit	(1)	124	44-10-0310	Locking Lever	(1)
	47	16-70-0420 Armature	(1)	142	44-76-0210	Cord Protector	(1)
	48	18-70-0420 Field	(1)	147	44-94-0410	Spring Hanger Rod	(1)
	49	22-18-0387 Carbon Brush Assembly	(2)	150	45-04-0850	Shoulder Screw	(1)
	50	22-20-0800 Brush Tube	(2)	151	45-04-0860	Blade Screw	(1)
50A	22-20-0802	Brush Tube Assembly	(2)	161	45-76-0331	Dust Tube	(1)
	52	10-15-0615 Label - 3 step sliding motion	(1)	168	22-84-0850	Fan	(1)
	54	22-64-3210 Cord	(1)				
	55	23-66-2035 Switch	(1)				
	57	23-74-1150 Terminal	(2)				
	58	25-20-1331 Upper Guard Cover	(1)				

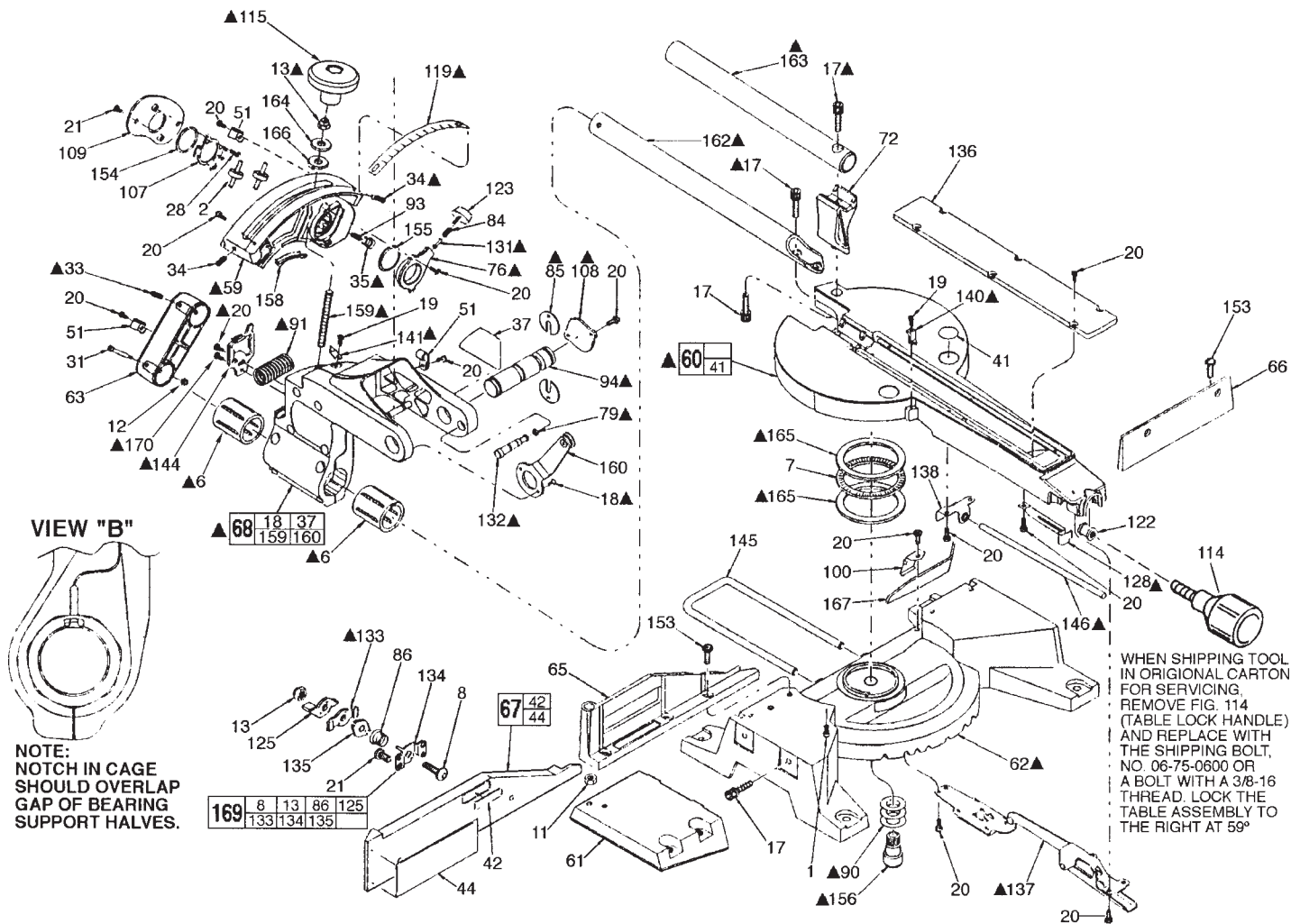


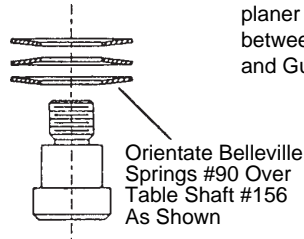
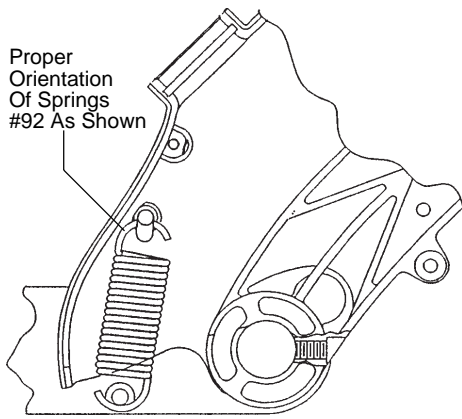
FIG.	PART NO.	DESCRIPTION OF PART	NO. REQ.	FIG.	PART NO.	DESCRIPTION OF PART	NO. REQ.
★ 1	06-82-5560	10-24 x 1/2 Pan Hd. Slit. Taptite T-25	(1)	107	42-92-1085	Bearing Clamp Cover	(1)
2	02-80-6100	Bearing Shaft Assembly	(2)	108	42-92-1090	Axle Cover	(1)
6	02-40-1060	Linear Ball Bearing	(2)	109	42-92-1100	Torque Arm Cover	(1)
7	02-80-0130	Needle Thrust Bearing	(1)	114	43-62-1052	Table Lock Handle	(1)
8	06-10-1153	5/16-18 x 1-1/4 Carriage Bolt	(1)	★ 115	14-34-0205	Adj. Knob Assembly (Incl. 06-55-1985 Nut)	(1)
11	06-55-2710	7/16-14 Hex Nut	(1)	119	43-82-0150	Bevel Angle Indicator	(1)
12	06-57-1100	10-24 Locknut	(1)	122	43-84-0860	Hex Insert	(1)
13	06-57-5045	5/16-18 Locknut	(2)	123	43-98-0610	Knob	(1)
17	06-81-3172	5/16-18 x 1 Hex Drive Taptite Screw	(6)	125	44-10-0330	Fence Clamp Lever	(1)
18	06-82-3792	8-32 x 3/8 Flat Hd. Taptite T-15	(2)	128	44-20-0255	Detent Lock	(1)
19	06-82-5270	6-32 x 1/4 Pan Hd. Slit. Taptite T-15	(2)	131	44-60-1095	Traverse Pin	(1)
★ 20	06-82-5314	10-24 x 1/2 Pan Hd. Slit. Taptite T-25	(27)	132	44-60-1410	Lock Pin	(1)
21	06-82-5338	1/4-20 x 3/8 Pan Hd. Taptite T-30	(4)	133	44-66-6060	Clamp Plate	(1)
28	06-82-8844	8-32 x 3/8 Pan Hd. Machine Screw	(2)	134	44-66-6070	Mounting Plate	(1)
31	06-82-9680	1/4 x 1-1/2 Cap Shoulder Screw	(1)	135	44-66-6080	Detent Plate	(1)
33	06-83-6035	1/4-20 x 3/8 Hex Socket Set Screw	(2)	136	44-66-6110	Kerf Plate	(1)
34	06-83-3125	1/4-20 x 3/4 Hex Socket Set Screw	(2)	137	44-66-6121	Detent Ball Plate Assembly	(1)
35	06-83-3126	3/8-16 x 3/8 Hex Socket Set Screw	(1)	138	44-66-6170	Locking Plate / Rod Guide	(1)
37	10-15-0600	Trilingual Label	(1)	140	44-72-0010	Miter Scale Pointer	(1)
41	10-15-9460	Warning Label	(2)	141	44-72-0110	Bevel Scale Pointer	(1)
42	10-15-9480	Warning Label	(1)	144	44-86-0600	Overtravel Spring Retainer	(1)
44	10-20-1250	Label	(1)	145	44-94-0350	Guide Rod	(1)
51	22-38-0150	Cable Clamp	(3)	146	44-94-0405	Extension Rod	(1)
59	28-04-0360	Torque Arm	(1)	153	45-04-0910	5/16-18 x 7/8 Pan Hd. Taptite Sems T-30	(5)
60	28-06-1055	Table Assembly	(1)	★ 155	45-06-0559	Seal Kit	(1)
61	28-06-1060	Base Extension	(1)	156	45-08-0330	Table Shaft	(1)
62	28-06-1080	Base	(1)	158	45-14-0250	Bearing Support Shim	(1)
63	28-12-0150	End Cap	(1)	159	45-58-0333	Bevel Clamping Stud	(1)
65	28-35-0020	Left Fence	(1)	160	45-60-0611	Cam Roller Support Assembly	(1)
66	28-35-0030	Right Fence	(1)	162	45-76-0450	Guide Tube	(1)
67	28-35-0040	Adjustable Fence	(1)	163	45-76-0460	Auxiliary Tube	(1)
68	28-90-0271	Bearing Support Assembly	(1)	164	45-88-8460	Vertical Adjustment Washer	(1)
72	28-90-0281	Auxiliary Tube Support	(1)	165	45-88-8540	Thrust Washer	(2)
76	31-58-0200	Traverse Lock	(1)	166	45-88-8805	Nylon Washer	(1)
79	34-40-3000	O-Ring	(1)	167	49-96-6205	Blade Screw Wrench	(1)
84	40-50-8170	Spring	(1)	169	14-46-2060	Clamp Mechanism Kit	(1)
85	40-50-8190	Disc Spring	(2)				
86	40-50-8610	Conical Spring	(1)				
90	40-50-8620	Belleville Spring	(3)				
91	40-50-8660	Bevel Overtravel Spring	(1)				
93	40-50-8710	Auxiliary Bearing Spring	(1)				
94	42-12-0170	Axle	(1)				
100	42-70-5141	Blade Wrench Clip	(1)				

FIG. LUBRICATION ▲

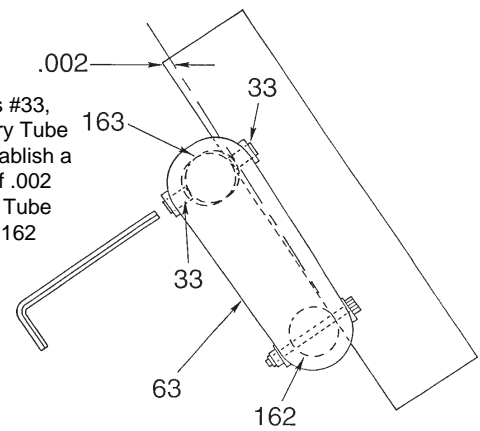
- 59, 158 Place a light coat of Type "L" Grease, No. 50-08-4230, between Fig. 59 (Torque Arm) and Fig. 158 (Bearing Support Shim).
- 62, 156 Apply .12 oz. of Type "L" Grease, No. 50-08-4230, under the head of the Fig. 156 (Table Shaft Assembly).
Apply a thin film of type "L" grease, No. 50-08-4230, prior to assembly, to the O.D. of the Fig. 156 (Table Shaft Assembly) and to the I.D. of the center bore of the Fig. 62 (Base).
- 64 Place .50 oz. of Type "Y" Grease, No. 49-08-5270, in the pinion pocket of Fig. 64 (Upper-Guard / Gear Case Assembly).
- 68 Seal slot between halves of Fig. 68 (Bearing Support Assembly) with Type "B" Grease, No. 49-08-0600.
- 68, 94 Apply .06 oz. of Type "L" Grease, No. 50-08-4230, to the two .125 wide grooves of Fig. 94 (Axle).
Apply a thin film of Type "L" Grease, No. 50-08-4230, to the O.D. of Fig.94 (Axle) - (Not between the two locating grooves), and to the I.D. of the two pivoting hubs of Fig. 68 (Bearing Support Assembly) prior to assembly.
- 79, 132 After assembling Fig. 79 (O-Ring) onto Fig. 132 (Lock Pin), apply a light coat of Type "L" Grease, No. 50-08-4230.
- 94, 108 Apply a dab of Type "L" Grease, No. 50-08-4230, to the cover end of Fig. 94 (Axle), Prior to assembly of Fig. 108 (Axle Cover).
- 133 Apply a thin film of Type "L" Grease, No. 50-08-4230, to both sides of Fig. 133 (Clamp Plate) prior to assembly.
- 165 Apply a thin film of Type "L" Grease, No. 50-08-4230, to both sides of Fig. 165 (Thrust Washers).
- 114, 158, 159 Apply a thin film of Type "L" Grease, No. 50-08-4230, to threads of Fig. 114 (Table Lock Handle) and Fig. 159 (Bevel Clamping Stud) and to Fig. 158 (Bearing Support Shim).

FIG. NOTES: ▲

- 3 Seal of Fig. 3 (Ball Bearing) towards fan of Fig. 47 (Armature).
- 6 Assemble Fig. 6 (both Linear Ball Bearings) so that the notch in the end of the cage faces out and oriented top dead center. (See view "B" for tolerance of orientation).
- 6, 68, 162 To establish a zero clearance condition between Fig. 6 (Linear Bearing) and Fig. 162 (Guide Tube), apply red locking sealant to two threads of the two screws above the bearings and tighten, in Fig. 68 (Bearing Support Assembly), one at a time while rotating the Bearing Support Assembly, until resistance is felt, then back out screw (1/8 turn max.) until Bearing Support Assembly rotates freely.
- 13, 59, 68 To establish proper clearance between Fig. 68 (Bearing Support Assembly) and Fig. 59 (Torque Arm), tighten Fig. 13 (5/16 Locknut) while rotating the Bearing Support Assembly until uniform resistance is felt, then back out nut (1/4 turn max.) until Bearing Support Assembly rotates freely.
- 17 **IMPORTANT:** Apply red locking sealant and tighten Fig. 17, the outboard (rear most) screw first to 150 in./lbs. Apply blue locking sealant and tighten the forward screw to 80 in./lbs.
- 18 Apply blue locking sealant to two threads of Fig. 18 (Flat Head Screw) prior to assembly.
- 20, 144 Apply blue locking sealant to two threads of Fig. 20 (10-24 Pan Hd. Screws) prior to assembly. After seating screws, back both screws out (max. 1/8 turn) until Fig. 144 (Retainer) moves freely side to side.
- 33 Replace Fig. 33 (Set Screws) with new whenever servicing. Apply blue locking sealant to two threads prior to assembly.
- 34 Apply blue locking sealant to two threads of Fig. 34 (Set Screws) prior to setting the 0° and 45° bevel stops.
- 35 Apply blue locking sealant to two threads of Fig. 35 (Set Screw) prior to assembly.
- Check cutting motion for smooth operation of all moving parts.
- Check rotating table for smooth operation thru a range of 50° left to 58° right.
- 36, 108 **WARNING:** Only tighten Fig. 36 (5/16 Set Screws) after assembly of Fig. 108 (Axle Cover).
Screw closest to Axle Cover is to be tightened first.
- 47 Rotation of Fig. 47 (Armature) is clockwise when viewed from commutator end of motor housing.
- 47, 75, 110 Place Fig. 110 (Wave Washer) into Fig. 75 (Motor Housing) prior to assembling onto Fig. 47 (Armature).
- 47, 124 Check Fig. 124 (Locking Lever) for smooth operation and easy engagement of spindle on Fig. 47 (Armature).
- 49, 101 Brush shunt to be positioned as shown in view "A", so as not to interfere with Fig.101 (End Cover) during assembly.
- 50, 116 Fig. 116 (Spring Holder) must be oriented in Fig. 50 (Brush Tube) such that the open end of the spring cavity is facing the shunt slot in Brush Tube.
- 58, 92, 147 Before removing Fig. 58 (Upper Guard Cover), unhook Fig. 92 (Return Springs) from Fig. 147.
- 60, 162 After assembly of Fig. 162 (Guide Tube) to Fig. 60 (Table), parallelism between Guide Tube and Table surface must be $\pm .15^\circ$.
- 64, 147 Insert short end of Fig. 147 (Spring Rod Hanger) into Fig. 64 (Upper Guard / Gearcase Assembly).



Adjust Set Screws #33, to position Auxiliary Tube #163, so as to establish a planer condition of .002 between Auxiliary Tube and Guide Tube #162



- 76, 131, 163 Insert Fig. 131 (Traverse Pin) into Fig. 76 (Traverse Lock) so that the end with the larger diameter will contact Fig. 163 (Auxiliary Tube) when assembled.
- 80 Assemble Fig. 80 (Retaining Ring) with the concave bow of the ring toward the gear.
- 82, 99 Insert bent leg of Fig. 82 (Spring) into small "L" shaped slot of Fig. 99 (Cam Link) prior to assembling Cam Link to Gear Case.
- Check operation of Lower Guard mechanism:
 A. To verify that Lower Guard freely retracts and returns to start position, actuate saw as if making a cut.
 B. To verify that the Lower Guard Return Spring is functioning properly, retract Lower Guard by hand with saw head up. When released, the Guard should return to it's start position.
 C. To verify Saw Head/Lower Guard Interlock, hold Lower Guard in retracted position and try to lower the Saw Head.
- 83, 116 Fig. 83 (Coil Spring) must be oriented in Fig. 116 (Spring Holder) such that the saddle of the Coil Spring is facing the open end of the Spring Holder.
- 85 Relative orientation of Fig. 85 (Disc Springs) should be 180° apart - Dimples to engage slots.
- 91, 144 Orientation of Fig. 91 (Bevel Overtravel Spring) and Fig. 144 (Overtravel Spring Retainer) should be as shown to the right, with end of coil positioned 90° ±30° to face of retainer.
- 92 Fig. 92 (Return Spring) orientation - Lower hook of Return Spring to be open toward back of tool as shown above.
- 119, 141 With Saw Head positioned at the 0° bevel stop, adjust Fig. 119 (Bevel Angle Indicator) so that the 0° mark aligns with Fig. 141 (Pointer). Then rotate Saw Head to the 45° stop and check to see that Pointer is aligned with the 45° mark.
- 128 To produce a quick disengaging action of Fig. 128 (Detent Lock), apply an outward force at the middle of the part so as to contact wall of Fig. 60 (Table Assembly), then secure.
- 128, 137 Check operation of Fig. 137 (Detent Ball Plate Assembly) for positive locking and disengaging. Then check operation of Fig. 128 (Detent Lock).
- 140 Check to see that Fig. 140 (Pointer) is lined up with the designated detent markings (45°, 30°, 22-1/2°, 15° and 0° in both directions).
- Check angularity limits:
 A. Spindle mounting face to base to be 90° ± .22° at 0° bevel angle and 45° ± .22° at 45° bevel angle.
 B. Spindle mounting face to kerf plate pocket to be 0° ± .50°.
 C. Spindle mounting face to fence to be 90° ± .10°.
- 146 Spherical end of Fig. 146 (Extension Rod) to be towards locking plate.
- After securing fence, spindle axis should be positioned at least 1.920" horizontally from machined surface of fence and, at most, 4.563" vertically from machined surface of table, at 7/16" depth of cut.
- 156 Apply blue locking sealant to two threads of Fig. 156 (Table Shaft) prior to assembly. Torque to 30 ft./lbs.
- 159 Apply blue locking sealant to two threads of Fig. 159 (Threaded Stud) prior to assembly.

